

THIS DRAWING IS UNPUBLISHED. RELEASED FOR PUBLICATION
 © COPYRIGHT - BY TYCO ELECTRONICS CORPORATION. ALL RIGHTS RESERVED.

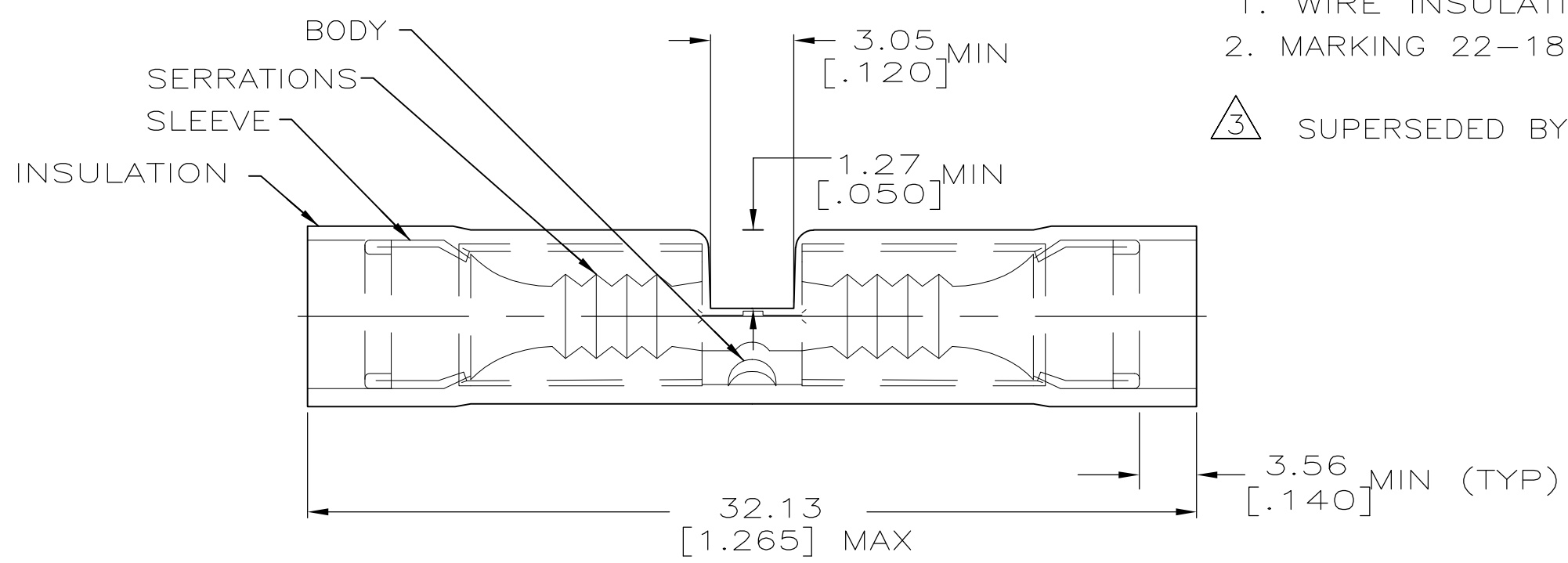
LOC	DIST	REVISIONS					
G	14	P	LTR	DESCRIPTION	DATE	DWN	APVD
			V	REV PER ECR 07-030724	27DEC07	JR	TM

300 VOLT MAX		
AMP WIRE RANGE	UL Listed FILE E13288	SR LR7189 Certified
22-16 AWG SOLID OR STRANDED	22-16 AWG SOLID OR STRANDED	22-16 AWG SOLID OR STRANDED

600 VOLT MAX		
AMP WIRE RANGE	UL Listed FILE E13288	SR LR7189 Certified
22-16 AWG STRANDED	22-16 AWG STRANDED	22-16 AWG STRANDED

NOTE:

1. WIRE INSULATION DIA 2.03[.080] TO 3.18[.125]
 2. MARKING 22-18 FOR MILITARY COMMERCIAL RANGE 22-16
- 3 SUPERSEDED BY 8-320559-2



-	4000	LOOSE PIECE, CTN	8-320559-6
-	100	LOOSE PIECE, BOX SPL	8-320559-5
-	5	LOOSE PIECE, BLS	8-320559-4 3
-	50	LOOSE PIECE, BOX	8-320559-2
M7928/5-3 CLASS 2	2500	ON TAPE	2-320559-4
M7928/5-3 CLASS 1 & 2	50	LOOSE PIECE	320559
MILITARY PART NUMBER & CLASS PER MIL-T-7928	QTY	PACKAGE TYPE	PART NO.

AMP INCORPORATED CUSTOMER SERVICE SYSTEMS		MAX RECOMMENDED OPERATING TEMPERATURE: 105°C [221°F]
FOR ADDITIONAL PRODUCT INFORMATION OR COPIES OF DRAWINGS AND TECHNICAL DOCUMENTS	PRODUCT INFORMATION CENTER 1-800-522-6752	VOLTAGE RATING: 600V MAX (1000V MAX FIXTURE OR SIGN)
FOR APPLICATION TOOLING INFORMATION	TOOLING ASSISTANCE CENTER 1-800-722-1111	CIRCULAR MIL AREA: 0.26-1.65mm² [509-3260]
FOR ORDER ENTRY	1-800-526-5142	THIS DRAWING IS A CONTROLLED DOCUMENT FOR AMP INCORPORATED. IT IS SUBJECT TO CHANGE AND THE CONTROLLING ENGINEERING ORGANIZATION SHOULD BE CONTACTED FOR THE LATEST REVISION.

THIS DRAWING IS A CONTROLLED DOCUMENT.		DWN S.S. GOULDEN 9-28-93	Tyco Electronics Corporation Harrisburg, PA 17105-3608	
DIMENSIONS: MM [INCHES]	TOLERANCES UNLESS OTHERWISE SPECIFIED:	CHK R. HERSEY 9-28-93	NAME	
	0 PLC ± -	APVD M ELLIS 9-28-93	SPLICE, BUTT, PIDG	
	1 PLC ± -	PRODUCT SPEC	WIRE SIZE: 22-16	
MATERIAL	2 PLC ± 0.20[.008]	APPLICATION SPEC	SIZE	CAGE CODE
	3 PLC ± -	WEIGHT	A3	00779
FINISH	4 PLC ± -	CUSTOMER DRAWING	DRAWING NO	RESTRICTED TO
	ANGLES ± -	SCALE	G-320559	1 OF 1
COPPER PER ASTM B-152	TIN PL PER ASTM B545	SHEET	REV	V